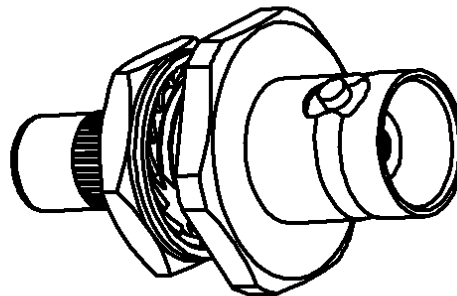
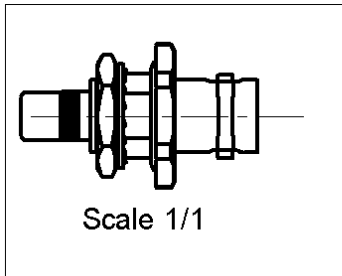
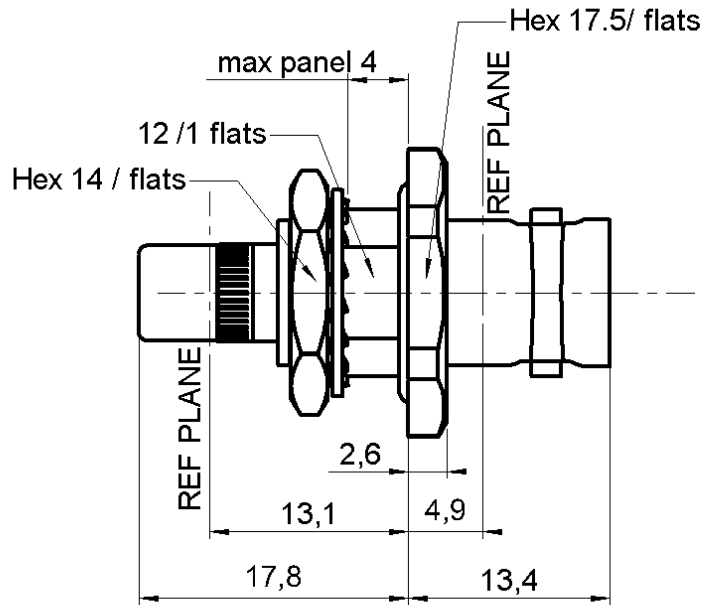


SMB FEMALE - BNC FEMALE

R191.216.000

BULKHEAD PANEL SEAL STRAIGHT ADAPTER

Série : ADAPT



All dimensions are in mm.

COMPONENTS	MATERIALS	PLATINGS (µm)
BODY	BRASS	BLACK-CHROMIUM 0.2 OVER NICKEL 3.5
CENTER CONTACT	BERYLLIUM COPPER	GOLD 1.3 OVER NICKEL 2
OUTER CONTACT	BERYLLIUM COPPER	GOLD 0.5 OVER NICKEL 2
INSULATOR	PTFE	
GASKET	SILICONE RUBBER	
OTHERS PARTS	BRASS	NICKEL 2
-	-	-
-	-	-

Issue : 0306 D

In the effort to improve our products, we reserve the rights to make changes judged to be necessary.



SMB FEMALE - BNC FEMALE

R191.216.000

BULKHEAD PANEL SEAL STRAIGHT ADAPTER

Série : ADAPT

PACKAGING

SPECIFICATION

Standard	Unit	Other
1	-	Contact us

ELECTRICAL CHARACTERISTICS

ENVIRONMENTAL

Impedance		50 Ω
Frequency		0-4 GHz
VSWR	1.2 +	0.000 x F(GHz) Maxi
Insertion loss		0.250 √F(GHz) dB Maxi
RF leakage	- (57 - F(GHz)) dB Maxi
Voltage rating		500 Veff Maxi
Dielectric withstanding voltage		1000 Veff mini
Insulation resistance		1000 MΩ mini

Operating	-65/+125 °C
Hermetic seal	NA Atm.cm3/s
Panel leakage	NA

MECHANICAL CHARACTERISTICS

OTHERS CHARACTERISTICS

Center contact retention		
Axial force – Mating end		10 N mini
Axial force – Opposite end		10 N mini
Torque		NA N.cm mini

Recommended torque		
Mating	BNC	0 N.cm
	SMB	0 N.cm
	-	0 N.cm
Panel nut		320 N.cm

Mating life		500 Cycles mini
Weight		14.805 g

Issue : 0306 D

In the effort to improve our products, we reserve the rights to make changes judged to be necessary.

